

Tous droits strictement réservés. Reproduction ou communication à des tiers interdite sous quelque forme que ce soit sans autorisation écrite du propriétaire. Propriété de c FCI. Droits de reproduction FCI.



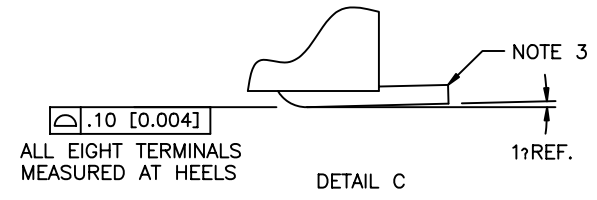
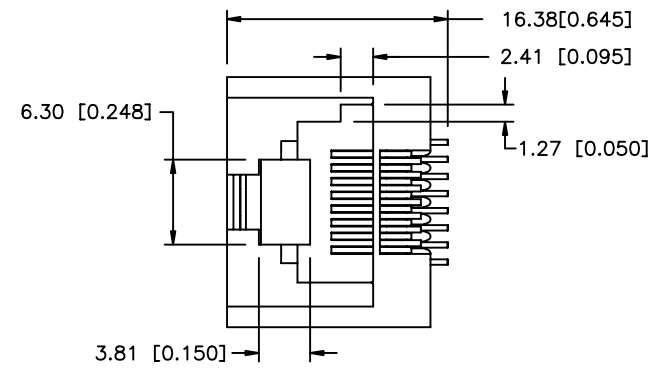
All rights strictly reserved. Reproduction or issue to third parties in any form whatever is not permitted without written authority from the proprietor. Property of FCI. Copyright FCI.

PRODUCT NO.
SEE TABLE

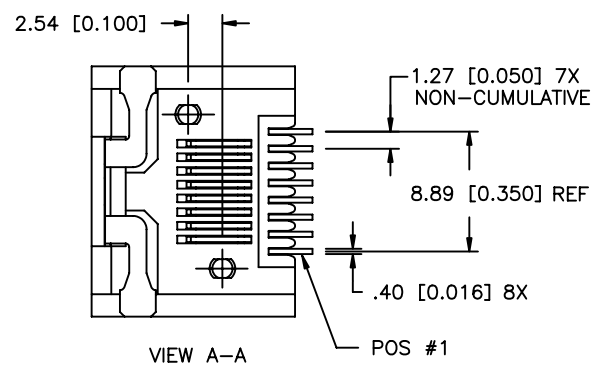
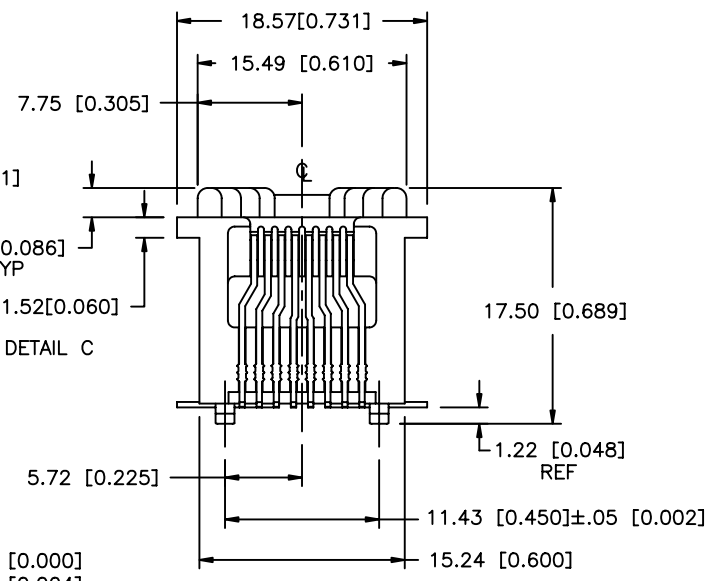
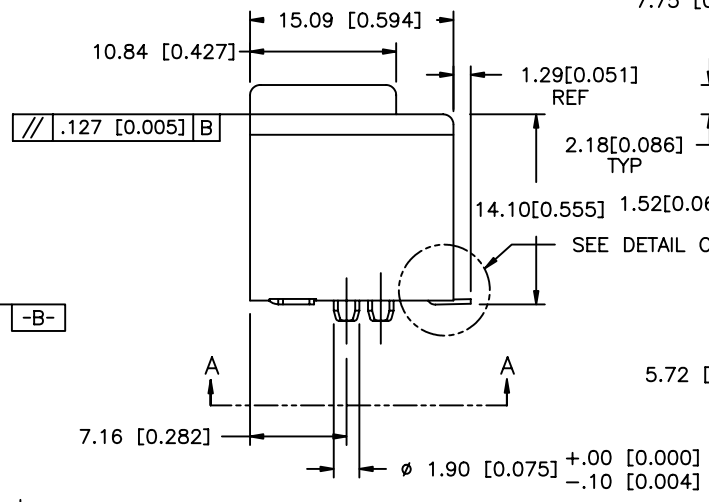
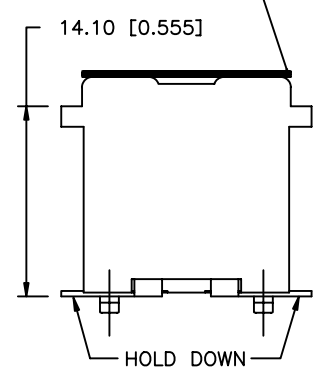
1 | 2

3 |

4



THE MYLAR SEE NOTE 7 ONLY FOR 87549-XXX1C/XXX1CLF



mat'l. code				tolerances unless otherwise specified			CUSTOMER COPY		FCI		
ltr	ecn no	dr	date	linear	.X±.3/.XX±.01	projection	title				
M	N05-0035	YS	2/18/05		.XX±.13/.XXX±.005		A-SMT ASSEMBLY				
N	N08-0194	SH	9/08/08		.XXX±.051/.XXXX±.0020		VERT 8 POS-KEYED				
				angles	σ ±2°	M/INCH	product family		MOD JACK		
K	V81474	GAH	9/15/96	dr	S.DUESTERHOEFT		3/20/96	size		code	
L	V12666	LP	1/10/02	enr	Y.BELOPOLSKY		3/20/96	dwg no		210	
				chr	Y.BELOPOLSKY	7/8/96	87549		sheet		
				appd	Y.BELOPOLSKY	7/8/96	A4		1 of 2		
sheet index	revision sheet	N	N								
		1	2								

1 | 2

3 |

4

ACAD

PDM: Rev: N

STATUS: Released

Printed: Oct 11, 2008

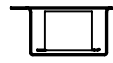
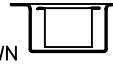
Tous droits strictement réservés. Reproduction ou communication à des tiers interdite sans quelque forme que ce soit sans autorisation écrite du Propriétaire de c FCI. Droits de reproduction FCI.
 All rights strictly reserved. Reproduction or issue to third parties in any form whatever is not permitted without written authority from the proprietor. Property of FCI. Copyright FCI.

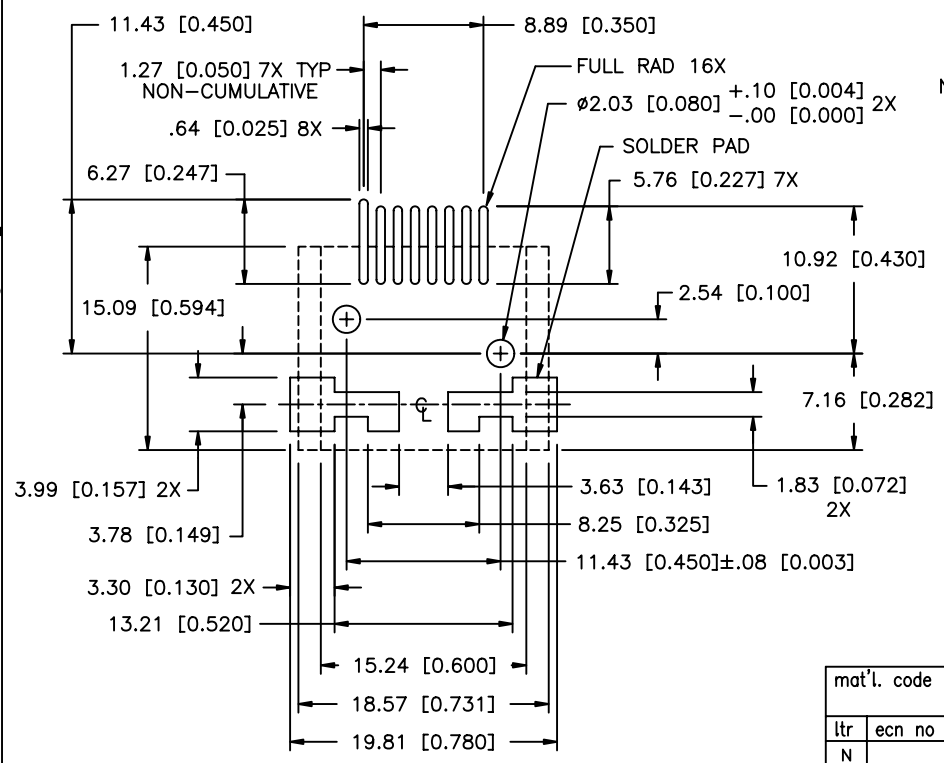
PRODUCT NO.
87549-XXXX

CONTACT PLATING OPTIONS	
1 = GXT .76µm [30µ"]	
2 = GOLD 1.27µm [50µ"]	
3 = PdNi .64µm [25µ"]	NOT TOOLED
4 = GOLD .76µm [30µ"]	

TERMINAL LOADING OPTIONS	
1 = FULLY LOADED 8 POSITION	
2 = POS. 1,2,7,8 LOADED, 4 POS.	
3 = POS. 3,4,5,6 LOADED, 4 POS	

COLOR	
1 = BLACK	
2 = NATURAL	


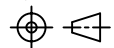
PACKAGE OPTIONS	
BLISTER PACKAGE (TAPE & REEL)	
1 = LOADED FACE UP	
BLISTER PACKAGE (TAPE & REEL)	
2 = LOADED FACE DOWN	
3 = PACKAGED IN TUBES	NOT TOOLED
4 = PACKAGED IN TRAYS	NOT TOOLED



RECOMMENDED PC BOARD L/O

NOTES:

- MATERIAL: HOUSING - THERMOPLASTIC V-0
CONTACT - PHOSPHOR BRONZE
- PLATING: SOLDER TAILS - 2.54 µm [100 µIN] MIN TIN LEAD OVER
2.54 µm [100 µIN] NICKEL
HOLDDOWN - 2.54 µm [100 µIN] MIN TIN LEAD OVER
2.54 µm [100 µIN] NICKEL
CONTACT AREA PLATING - SEE CHART ON SHEET 2
- MAX "TOE UP" AT TIP = 0.127 [0.005]
- IF LF P/N PACKAGING MEETS GS-14-920 SPECIFICATION.
- THE HOUSING WILL WITHSTAND EXPOSURE TO 260°C PEAK TEMPERATURE FOR 40 SECONDS IN A CONVECTION, INFRA-RED OR VAPOR PHASE REFLOW OVEN.
- IF LF P/N THE PRODUCT MEETS EUROPEAN UNION DIRECTIVES AND OTHER COUNTRY REGULATIONS AS DESCRIBED IN GS-22-008.
- APPLY THE MYLAR ON THE P/N 87549-XXX1 WITH SUFFIX "C" FOR PICKING UP. FOR INSTANCE 87549-4111CLF.

mat'l. code				tolerances unless otherwise specified		CUSTOMER COPY		 title A-SMT ASSEMBLY VERT 8 POS-KEYED		
ltr	ecn no	dr	date	linear	.X±.3/.XX±.01	projection				
N					.XX±.13/.XXX±.005			product family	MOD JACK	code
				angles	.XXX±.051/.XXX±.0020	M/INCH		size	dwg no	210
				dr	S.DUESTERHOEFT 3/20/96	scale		A4	87549	sheet 2 of 2
				enr	Y.BELOPOLSKY 3/20/96	1/1				
				chr	Y.BELOPOLSKY 7/8/96					
				appd	Y.BELOPOLSKY 7/8/96					
sheet index	revision sheet	N	N							
		1	2							